



PASVE is a ball-type mounting & service valve for HG and LEV/ PRESS-EL PG/PGS type level and pressure transmitters. PASVE makes it simple to disconnect the transmitter from the process for maintenance and cleaning, without stopping the process or draining the tank.

PASVE is available in a manually operated type or equipped with a pneumatic actuator.

TECHNICAL SPECIFICATIONS

Transmitter connection

G1 female, seat accepts HG and LEV/ PRESS-EL PG/PGS transmitters.

Max. operating pressure/temperature

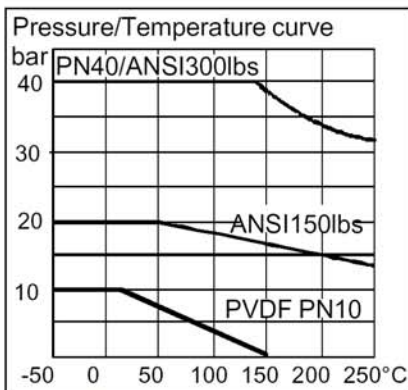
Pressure 40 bar, temperature 250 °C, (see the appended table).
Min. operating temp. -50 °C.
PVDF: See the appended table.

Materials

Wetted parts: AISI316L, for **F** type also Titanium and PVDF. Seals PTFE or PTFE with carbon and graphite filling.

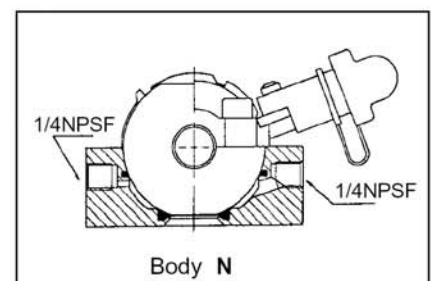
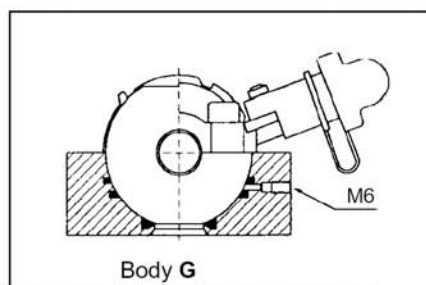
Weight

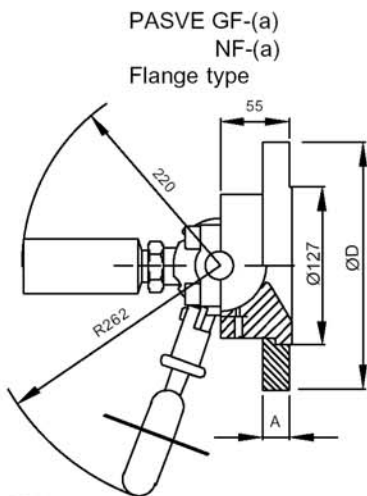
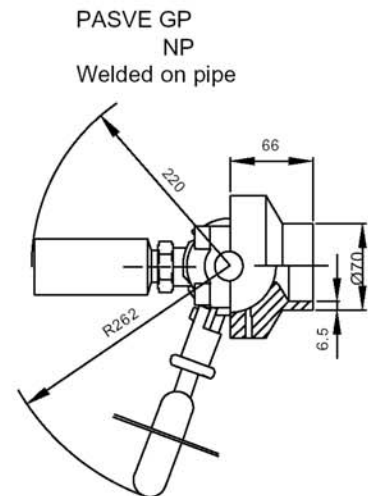
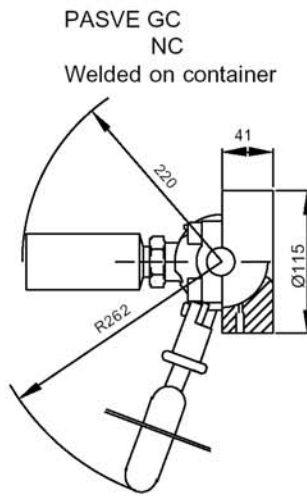
PASVE GC 4.3 kg, PASVE GP 4.2 kg, PASVE GF 8.4 kg, Actuator 5.5 kg



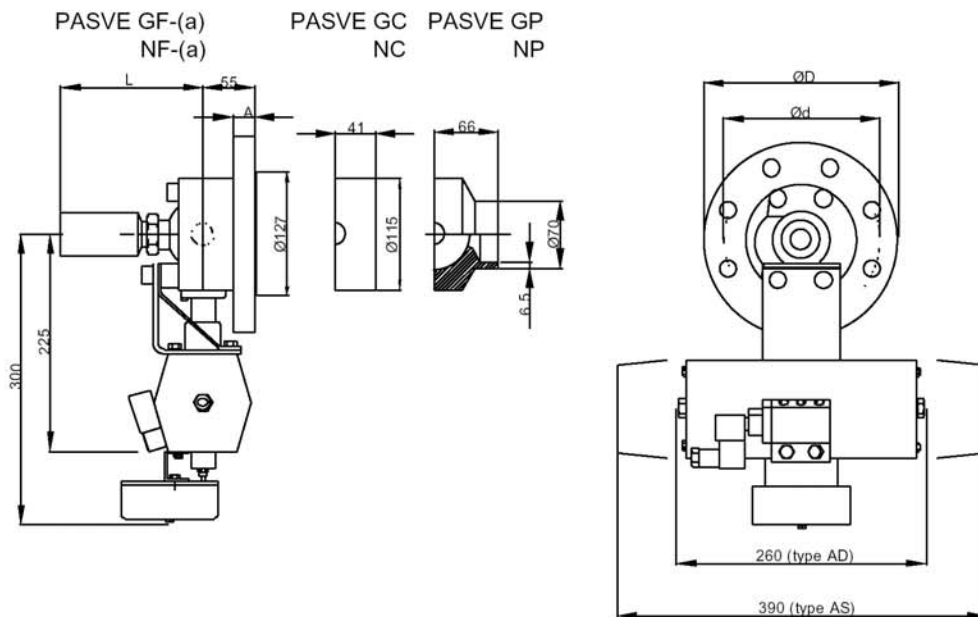
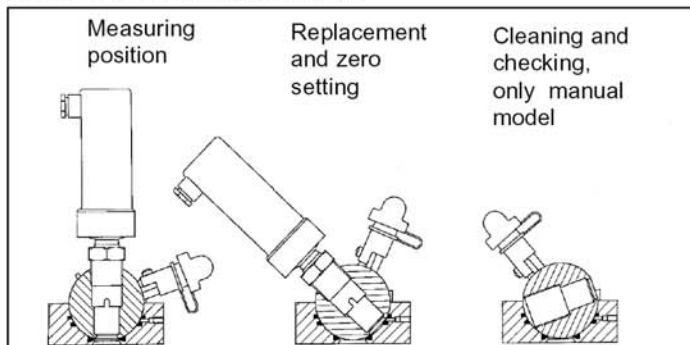
Selection table

PASVE	<input type="checkbox"/>	<input type="checkbox"/>	<input type="checkbox"/>	<input type="checkbox"/>	<input type="checkbox"/>	<input type="checkbox"/>	<input type="checkbox"/>	<input type="checkbox"/>	<input type="checkbox"/>																	
Body																										
G Std. (with 3 seals)																										
N Flushing (with 2 seals)																										
Mounting																										
C On container																										
P On pipe																										
F On flange:																										
Flange dimensions	<table border="1"> <tr><td>DN80</td><td>D</td></tr> <tr><td>ANSI 3"/150</td><td>A</td></tr> <tr><td>ANSI 3"/300</td><td>B</td></tr> <tr><td>JIS 10K 80</td><td>E</td></tr> <tr><td>JIS 40K 80</td><td>F</td></tr> <tr><td>*)Other flanges</td><td>S</td></tr> </table>		DN80	D	ANSI 3"/150	A	ANSI 3"/300	B	JIS 10K 80	E	JIS 40K 80	F	*)Other flanges	S	<table border="1"> <tr><td>Parts in contact with process medium</td></tr> <tr><td>2 AISI316L</td></tr> <tr><td>6 Titanium</td></tr> <tr><td>P1 PVDF PN10</td></tr> <tr><td>*) Contact Satron Instruments</td></tr> </table>							Parts in contact with process medium	2 AISI316L	6 Titanium	P1 PVDF PN10	*) Contact Satron Instruments
DN80	D																									
ANSI 3"/150	A																									
ANSI 3"/300	B																									
JIS 10K 80	E																									
JIS 40K 80	F																									
*)Other flanges	S																									
Parts in contact with process medium																										
2 AISI316L																										
6 Titanium																										
P1 PVDF PN10																										
*) Contact Satron Instruments																										
Seals																										
0 PTFE + 20C + 5Gr (as standard)																										
1 PTFE 100%																										
Pt100 Temperature sensor (Only with body code N)																										
0 No sensor																										
X With sensor (Measuring range: -50...+200 °C)																										
Actuator																										
MD No actuator (manually operated)																										
AD Double-action actuator																										
AS Spring-return actuator																										
Solenoid valve type (for codes AD and AS only)																										
1 230 V AC 50 Hz (std.)																										
2 24 V DC																										
3 115 V AC 60 Hz																										
Explosion proof for solenoid valve																										
0 No																										
1 Ex m II T4																										
Position switches																										
0 None																										
X Equipped with position switches																										
E Position switch NAMUR, DIN 19234																										
Options																										
Z1 Oxygen wash																										
Z2 Process side flushing																										
Documentation																										
IE English																										
IF Finnish																										
Material certificates																										
0 No material certificate																										
MC1 SFS-EN 10204-2.1 (DIN50049-2.1)																										
MC2 SFS-EN 10204-2.2 (DIN50049-2.2)																										
MC3 SFS-EN 10204-3.1B (DIN50049-3.1B)																										
<i>Specification example: PASVE G FD2 0 X AD1 X</i>																										



Dimensions (mm)

Manually operated

GF-(a)

a	FLANGE	ØD	Ød	A
A	ANSI 3" 150 lb	191	152.4	22
B	ANSI 3" 300 lb	210	168.3	27
D	DN80 PN40	200	160	22
E	JIS 10K 80	185	150	20
F	JIS 40K 80	210	170	30

With pneumatic actuator

OPERATING POSITIONS

SPARES

V534159 Service set
Incl. seals and bearing strips
Seal material: PTFE with carbon and graphite filling

V551344 Service set
Incl. seals and bearing strips
Seal material: pure PTFE

PATENTS

FI 71838	US 4,628,732	FR0197077
DEP3566577.7	GB 0197077	JP2112935
KR 69579	NL 0197077	

We reserve the right for technical modifications without prior notice.